

Automatic Stainless Steel Liquid and Gel Disinfection and Soap Dispenser SLZN 59E



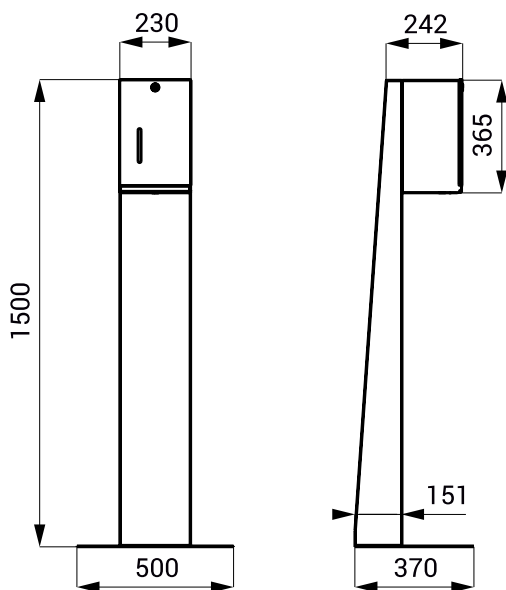
SLZN 59E

SLZN 59ES

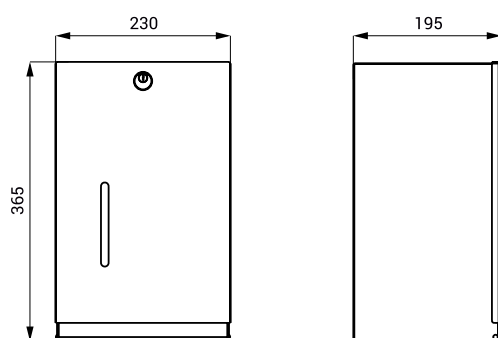
Characteristics

- **vandal-proof**
- automatic stainless steel disinfection and soap dispenser
- suitable for liquid and gel disinfection on alcohol base and soap
- easy inner plastic container replacement
- index E - on the wall
- index ES - stand for standing to the wall included
- reacts to the hands in active range by start of single dose of disinfection or soap (adjustable dosage time in range 1,3-13 s), standard 1,3 s
- inner plastic container included
- monitoring of battery capacity (for models with index B)
- parameters adjustment by remote control SLD 03
- brushed finish

Dimensions



SLZN 59ES



SLZN 59E

Technical Specification

Dimensions (SLZN 59E)	230 x 195 x 365 mm
Dimensions (SLZN 59ES)	500 x 370 x 1500 mm
Operating voltage	24 V DC
SLZN 59E, 59ES	(external power supply for wall socket 230 V AC/24 V DC)
SLZN 59EB, ESB	battery pack 12 V
Power input	7 W
Adjustable time of single dose	1,3 - 13 s; 0,5 - 5 ml
Battery performance per 1 charge (SLZN 59EB, SLZN 59ESB)	700 days at 500 cycles/day and dosing of 1,3 s; 315 days at 500 cycles/day and dosing of 2,6 s
Battery life (SLZN 59EB, SLZN 59ESB)	200 charge cycles
Recommended soap viscosity	10 mPa*s - 5000 mPa*s

Supply Specification

SLZN 59E - Supply No. 95590	stainless steel dispenser, 5 l container, external power supply for wall socket (SLZN 59E),
SLZN 59EB - Supply No. 95592	mounting set, battery pack 12 V (SLZN 59EB), remote control SLD 03
SLZN 59ES - Supply No. 95591	stainless steel dispenser, 5 l container, external power supply for wall socket (SLZN 59ES),
SLZN 59ESB - Supply No. 95593	stand for fixing to the floor, mounting set, battery pack 12 V (SLZN 59ESB), remote control SLD 03

Recommended Accessories

SLZ 01Y - Supply No. 05012	power supply 24 V DC for operating of max. 10 pcs. of dispensers
SLZ 01Z - Supply No. 05011	power supply 24 V DC for operating of max. 20 pcs. of dispensers
SLZ 04Y - Supply No. 05042	power supply 24 V DC on DIN rail, for operating of max. 10 pcs. of dispensers
SLZ 04Z - Supply No. 05041	power supply 24 V DC on DIN rail, for operating of max. 20 pcs. of dispensers
SLZ 04X - Supply No. 10049	power supply 24 V DC on DIN rail, for operating of max. 30 pcs. of dispensers
SLZN 60 - Supply No. 95600	drip tray (dimensions: 227 x 192 x 70 mm)
SLA 58 - Supply No. 06580	battery pack
SLA 58N - Supply No. 06581	charger



SLZN 60

