

Stainless Steel Washbasins SLUN 58, SLUN 59, SLUN 69



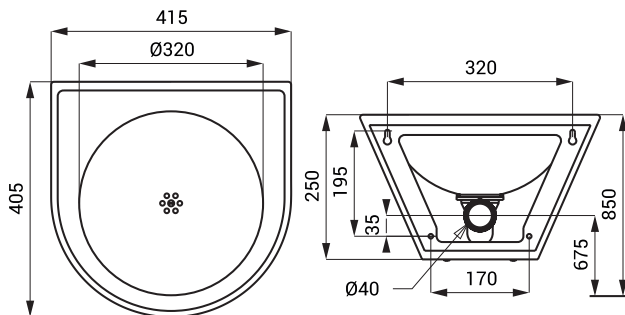
SLUN 58

Characteristics



- vandal-proof
- suitable for a prison
- stainless steel wall hung washbasin
- mounting over servis hole and special screws
- without a tap hole (could be made to order)
- filled with expanded polyurethane (to avoid dents and typical metal noise)
- material AISI - 304
- brushed

Dimensions



Supply Specification

SLUN 58 - Supply No. 93580 stainless steel washbasin, siphon, mounting set



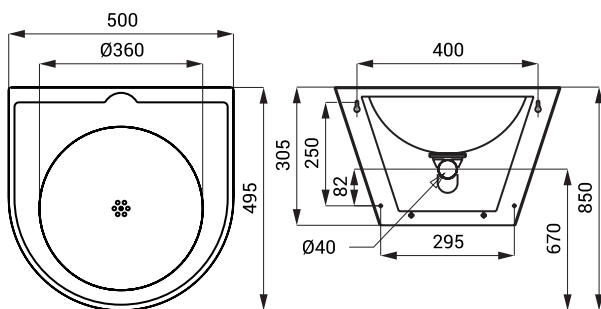
SLUN 59

Characteristics



- vandal-proof
- suitable for a prison
- stainless steel wall hung washbasin
- mounting over servis hole and special screws
- without a tap hole (could be made to order)
- filled with expanded polyurethane (to avoid dents and typical metal noise)
- material AISI - 304
- brushed

Dimensions



Supply Specification

SLUN 59 - Supply No. 93590 stainless steel washbasin, siphon, mounting set



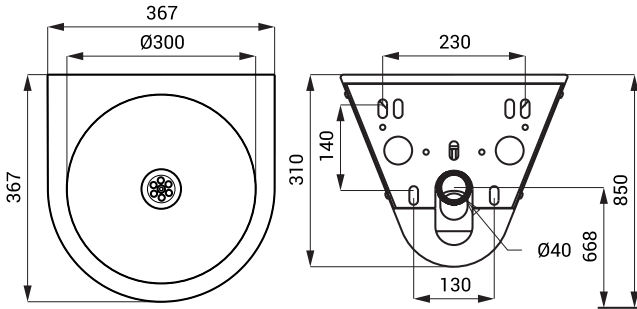
SLUN 69

Characteristics



- **vandal-proof**
- stainless steel wall hung washbasin
- without a tap hole (could be made to order)
- mounting by mounting desk
- material AISI - 304
- brushed

Dimensions



Supply Specification

SLUN 69 - Supply No. 73690 stainless steel washbasin, siphon, mounting set