

# Automatic Stainless Steel Washbasin Taps

## SLU 91N, SLU 92N, SLU 93N



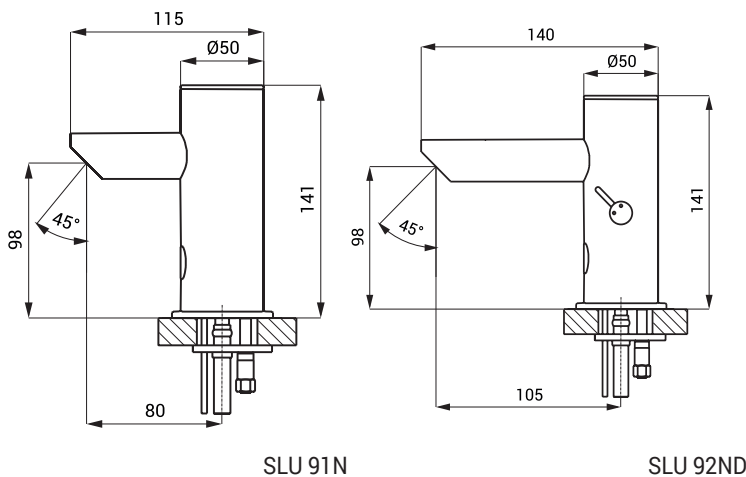
### Characteristic



- economical aerator, rate of flow 6l/min
- hygienic flush
- lead free
- whole stainless steel
- electromagnetic valve is in the tap body
- SLU 91N is destined for cold or premixed water
- SLU 92N is destined for cold and hot water, temperature is regulated by mixer
- SLU 93N is destined for cold and hot water, temperature is regulated by angle valves
- index D - longer spout
- water is flowing as long as hands are in the active range
- water stops flowing after removal of hands from the active range of sensor after adjustable time delay (can be set in range 0,25 - 7,75 s)
- function of automatic water stop after 5 minut of continuous flow
- monitoring of battery capacity (for models with index B)
- START/STOP program
- parameter adjustment using by the remote control SLD 03



### Dimensions



### Technical Specification

#### Operating voltage

- SLU 91N, SLU 92N, SLU 93N 24 V DC
- SLU 91NB, SLU 92NB, SLU 93NB 6 V

#### Power input

- operating by 24 V DC 3 W
- operating by 6 V 2 W

#### Battery life

- 4 pcs. AA alkaline batteries approx. 2 years (100 uses per day)
- AA, 1,5 V, 2700 mAh

#### Active range

- standard 0,13 - 0,19 m
- START/STOP program 0,05 - 0,15 m

#### Recommended flow pressure

0,1 - 0,6 MPa

#### Rate of flow

6 l/min. (inf. data)

#### Water inlet

male thread G 1/2"

### Supply Specification

SLU 91N	- Supply No. 23918	faucet with an electronics and electromagnetic valve, connecting hoses,
SLU 91NB	- Supply No. 23919	filter (1 pc.), 4 pcs. AA alkaline batteries 1,5 V, 2700 mAh with battery case
SLU 91ND	- Supply No. 53916	(for models with index B)
SLU 91NDB	- Supply No. 53917	
SLU 92N	- Supply No. 23928	faucet with mixer and electronics and electromagnetic valve, connecting hoses,
SLU 92NB	- Supply No. 23929	filter and check valve (2 pcs.), 4 pcs. AA alkaline batteries 1,5 V, 2700 mAh
SLU 92ND	- Supply No. 53926	with battery case (for models with index B)
SLU 92NDB	- Supply No. 53927	
SLU 93N	- Supply No. 23938	faucet with electronics and electromagnetic valve, Y-piece, connecting hoses,
SLU 93NB	- Supply No. 23939	filter and check valve (2 pcs.), 4 pcs. AA alkaline batteries 1,5 V, 2700 mAh
SLU 93ND	- Supply No. 53936	with battery case (for models with index B)
SLU 93NDB	- Supply No. 53937	

## Recommended Accessories

SLZ 01Y	-	Supply No. 05012	power supply 24 V DC for operating of max. 10 pcs. of washbasin taps
SLZ 01Z	-	Supply No. 05011	power supply 24 V DC for operating of max. 20 pcs. of washbasin taps
SLZ 04Y	-	Supply No. 05042	power supply 24 V DC for DIN rail, for operating of max. 10 pcs. of washbasin taps
SLZ 04Z	-	Supply No. 05041	power supply 24 V DC for DIN rail, for operating of max. 20 pcs. of washbasin taps
SLZ 04X	-	Supply No. 10049	power supply 24 V DC for DIN rail, for operating of max. 30 pcs. of washbasin taps
SLZ 06	-	Supply No. 05060	power supply 24 V DC for operating of max. 1 pc. of washbasin tap
SLD 03	-	Supply No. 07030	remote control for an adjustment of parameters
SLT 04	-	Supply No. 09040	thermostatic valve 3/4", rate of flow 28 l/min by the pressure 0,1 MPa
SLT 05	-	Supply No. 09050	thermostatic valve 1/2", rate of flow 42 l/min by the pressure 0,1 MPa
SLA 32	-	Supply No. 06320	elongation 30 mm for SLU 91N, 92N, 93N
SLA 33	-	Supply No. 06330	elongation 150 mm for SLU 91N, 92N, 93N
SLA 36	-	Supply No. 06360	set of 4 pcs. alkaline batteries AA, 1,5 V, 2700 mAh (for models with index B)
SLA 56A	-	Supply No. 06560	economical aerator 3,8 l/min
SLA 56B	-	Supply No. 06561	economical aerator 1,9 l/min