

# Piezo Stainless Steel Shower Panel SLZA 21P



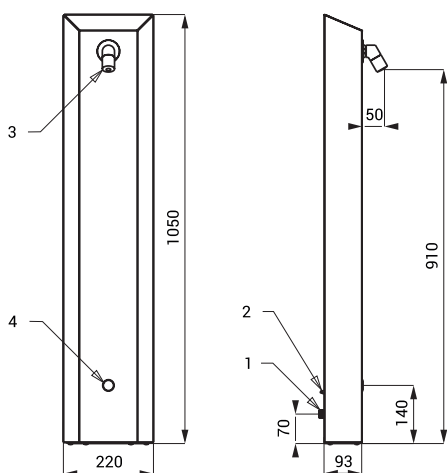
SLZA 21P

## Characteristics



- hygienic flush
- vandal-proof
- wall hung shower panel with piezo button for automatic device with index N
- is designed for cold or premixed water

## Installation Drawing



- 1 - water supply
- 2 - power supply from the device
- 3 - shower head
- 4 - piezo button

## Technical Specification

Dimensions	1050 x 220 x 143 mm
Recommended flow pressure	0,1 - 0,6 MPa
Rate of flow	9 l/min. (inf. data)
Water inlet	male thread G 1/2"

## Supply Specification

SLZA 21P - Supply No. 88217 stainless steel shower panel, electromagnetic valve (1 pc.), connecting hoses, angle valve with filter (1 pc.)

## Recommended Accessories

SLT 04 - Supply No. 09040 thermostatic valve 3/4", rate of flow 28 l/min by the pressure 0,1 MPa  
SLT 05 - Supply No. 09050 thermostatic valve 1/2", rate of flow 42 l/min by the pressure 0,1 MPa

## Designed for Products

<b>SLZA 01N</b>	- <b>Supply No. 88013</b>	coin and token automatic device for one to three showers
<b>SLZA 01NZ</b>	- <b>Supply No. 88014</b>	coin and token automatic device for one to three showers
<b>SLZA 01LN</b>	- <b>Supply No. 88017</b>	coin and token automatic device for one to three showers
<b>SLZA 01LNZ</b>	- <b>Supply No. 88018</b>	coin and token automatic device for one to three showers
<b>SLZA 02N</b>	- <b>Supply No. 88023</b>	coin and token automatic device for four to twelve showers
<b>SLZA 02NZ</b>	- <b>Supply No. 88024</b>	coin and token automatic device for four to twelve showers
<b>SLZA 02LN</b>	- <b>Supply No. 88029</b>	coin and token automatic device for four to eight showers
<b>SLZA 02LNZ</b>	- <b>Supply No. 88020</b>	coin and token automatic device for four to eight showers
<b>SLZA 03N</b>	- <b>Supply No. 88033</b>	coin and token automatic device for one shower
<b>SLZA 03NZ</b>	- <b>Supply No. 88034</b>	coin and token automatic device for one shower