


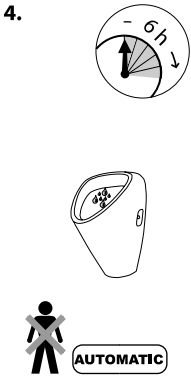
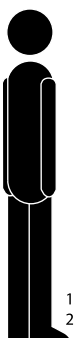
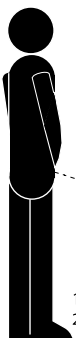
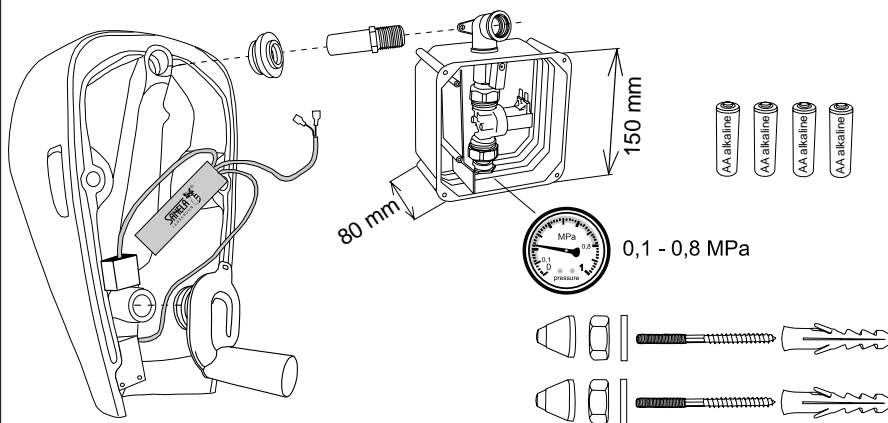


Automatic urinal radar flushing system SLP 32RB, SLP 33RB

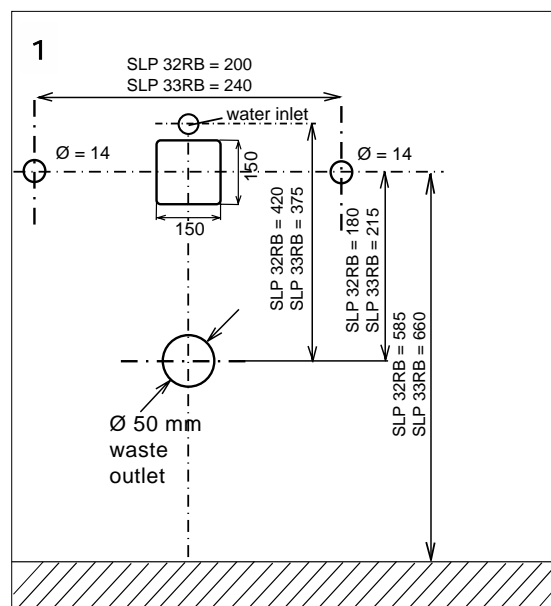
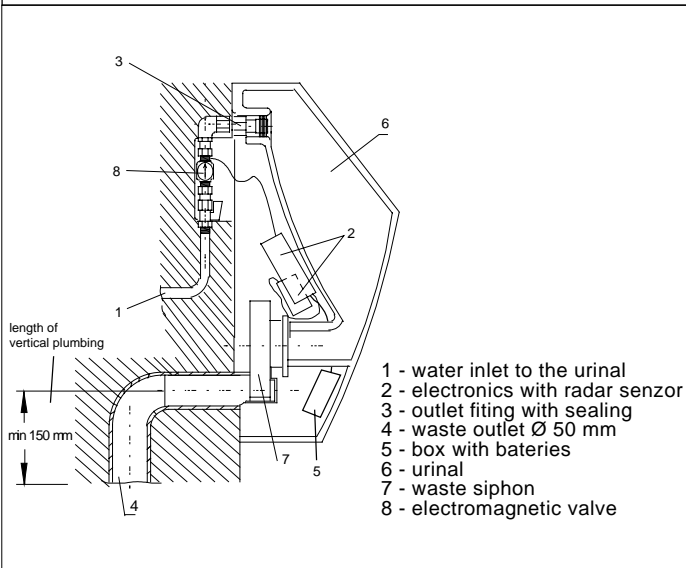
Function				Properties	
1. 	2. 	3. 	4. 		
	minimum use time 10 sec.		after 6 hours non use	1. AUTOMATIC 3 SEC. 2. ADJUSTABLE BY MEANS OF SLD 04	1. AUTOMATIC 10 SEC. 2. ADJUSTABLE (ONLY SERVICE !)
				flushing time 0,5 - 15,5 sec	using time 6 - 15 sec

Supplied equipment

SLP 32RB - Code Nr. 11327, SLP 33RB - Code Nr. 11337



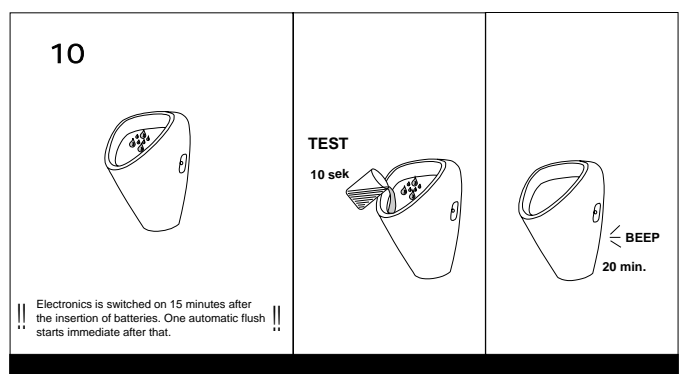
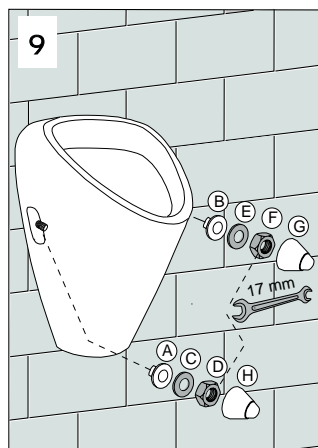
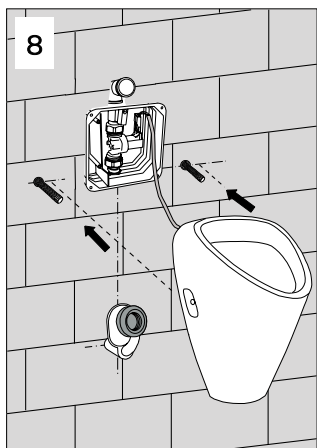
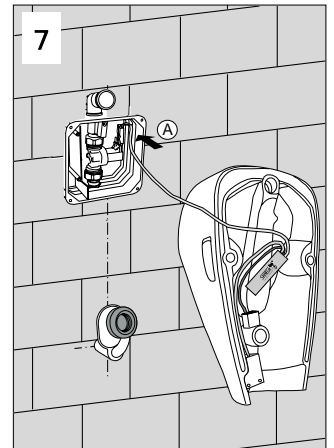
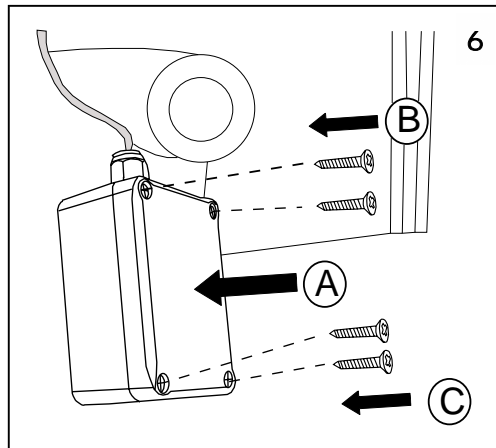
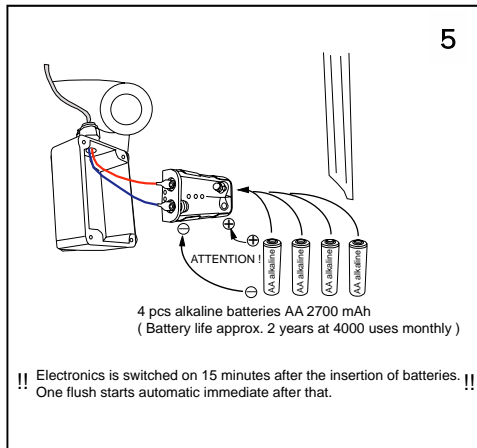
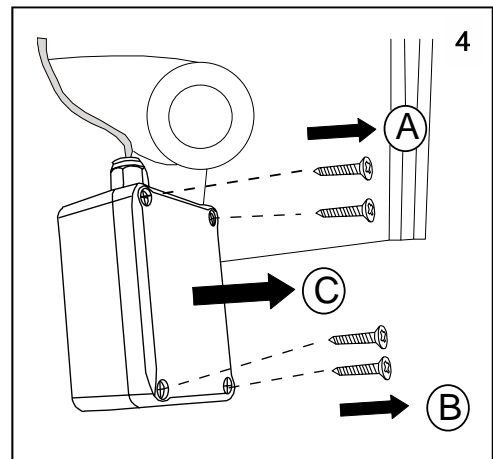
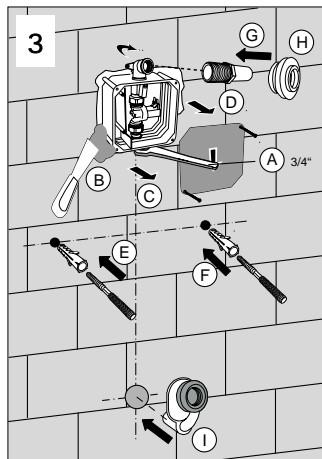
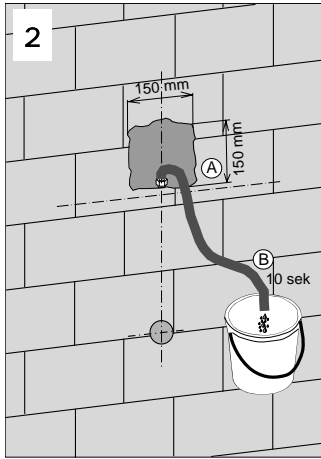
Installation



Recommended accessories

SLD 04

Remote control for the parameters adjustment



Service

It is recommend to check up the sifter of electromagnetic valve once a year, because of there is a possibility that valve could be fouled up. Checking of tightening of screw conections and connectors contact surfaces is also recommend once a year.

All stainless steel components should be cleaned only by water soap and soft rag. It is strictly forbidden to use aggressive and abrasive cleansers!

Producer assures that this product has declaration of conforminty in accordance with the regulation 73/023/EEC and 89/336/EEC.