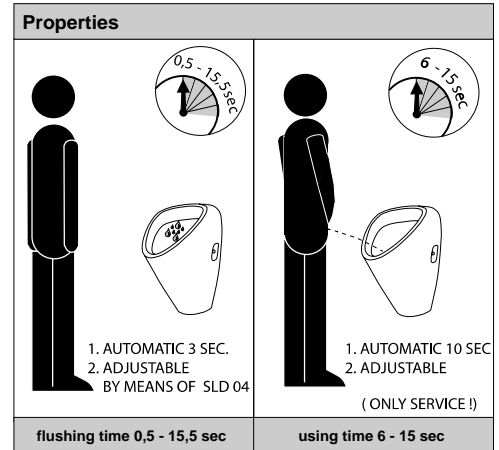
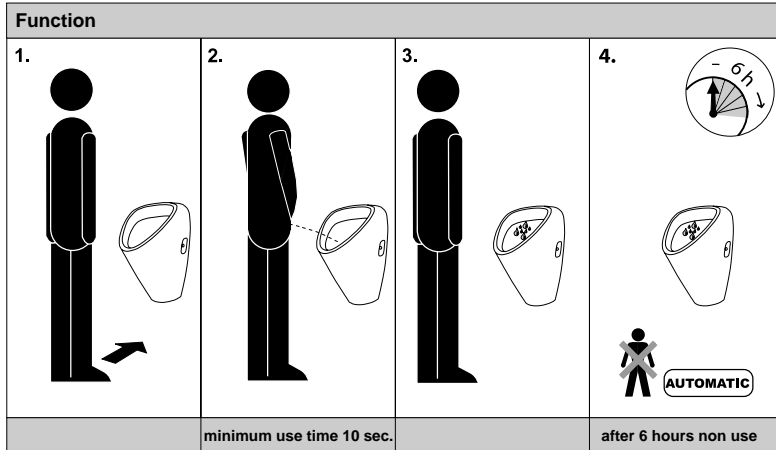
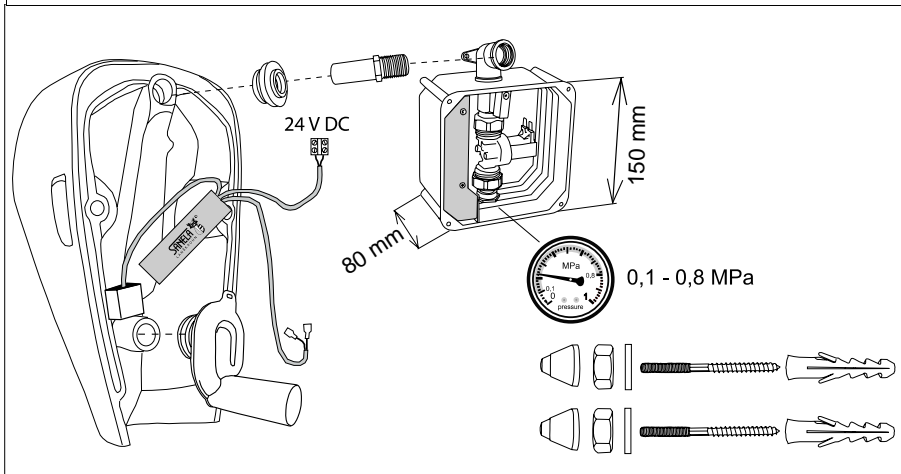


Automatic urinal radar flushing system SLP 32RZ, SLP 33RZ

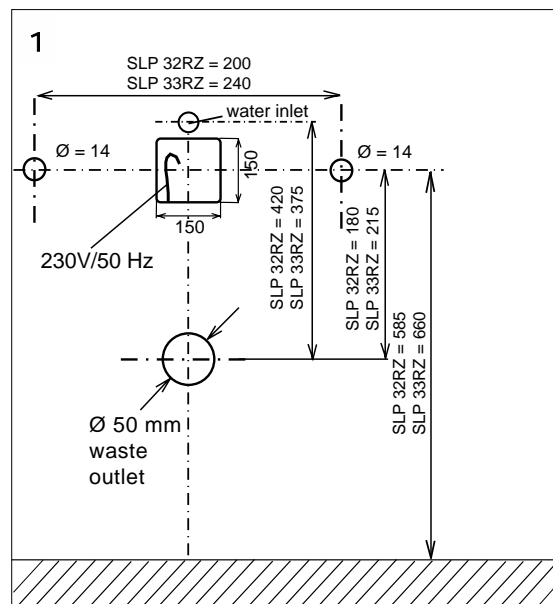
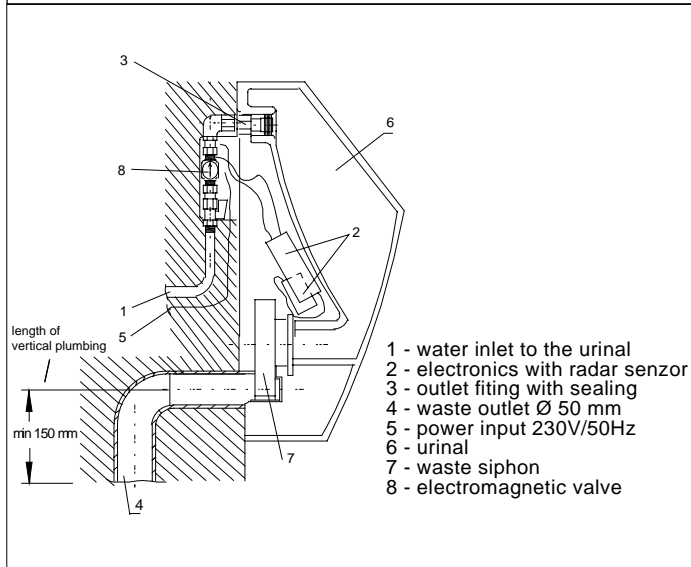


Supplied equipment

SLP 32RZ - Code Nr. 01325, SLP 33RZ - Code Nr. 01335



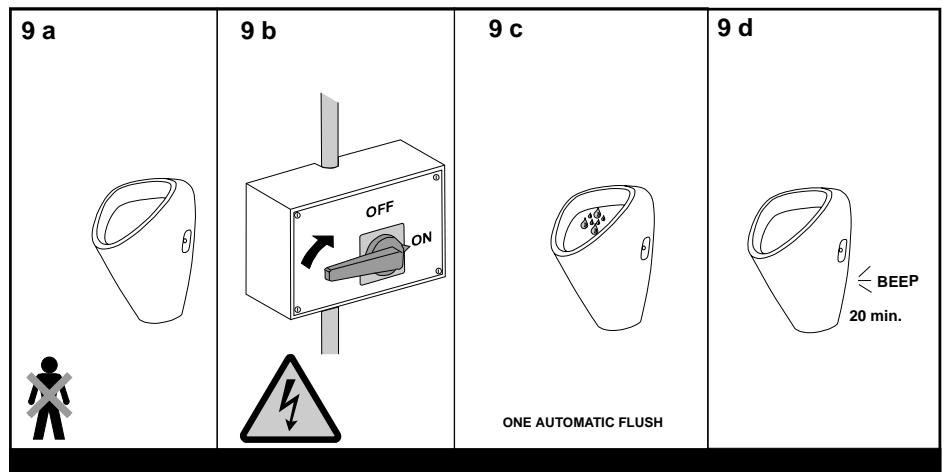
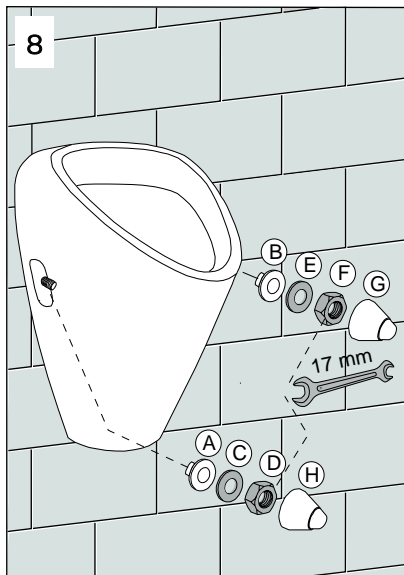
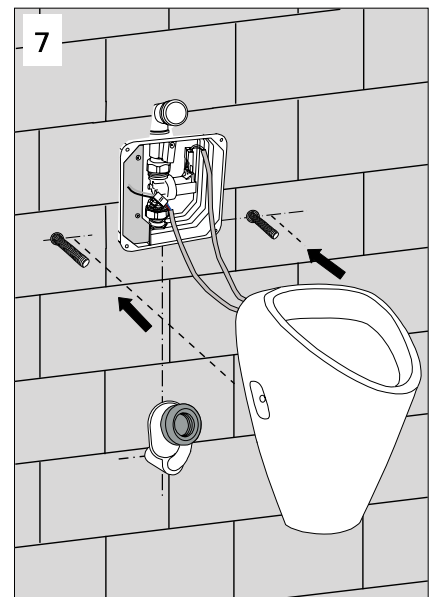
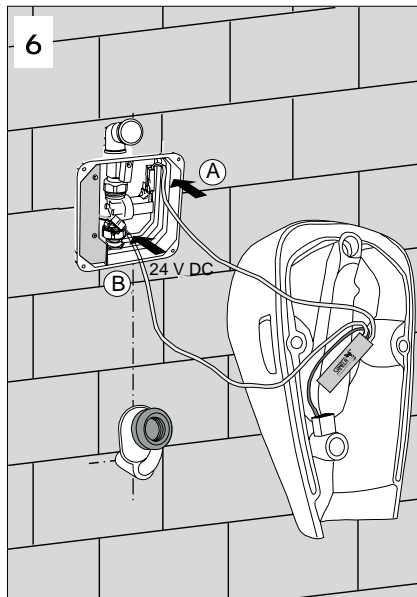
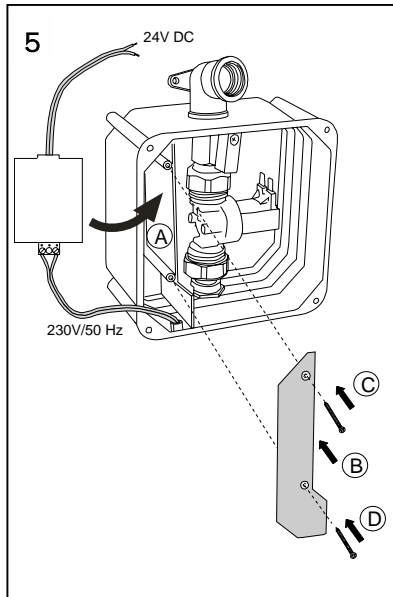
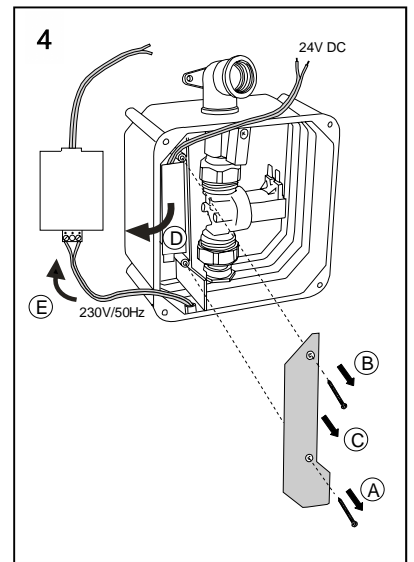
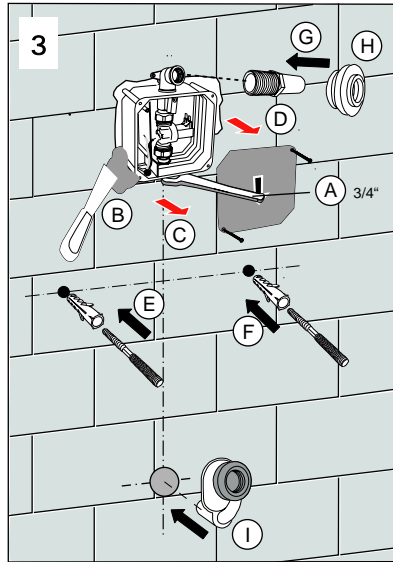
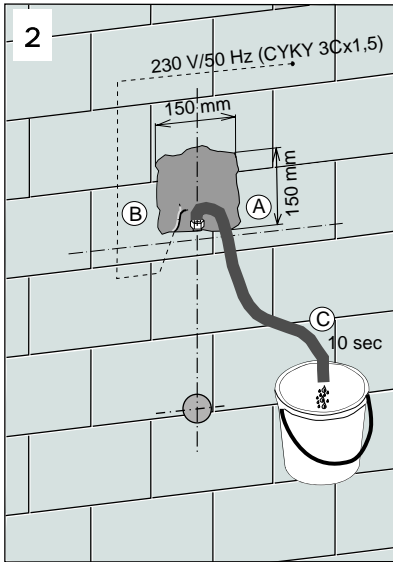
Installation



Recommended accessories

SLD 04

Remote control for the parameters adjustment



Service

It is recommended to check up the sifter of electromagnetic valve once a year, because of there is a possibility that valve could be fouled up. Checking of tightening of screw connections and connectors contact surfaces is also recommended once a year.

All stainless steel components should be cleaned only by water soap and soft rag. It is strictly forbidden to use aggressive and abrasive cleansers!

Producer assures that this product has declaration of conformity in accordance with the regulation 73/023/EEC and 89/336/EEC.