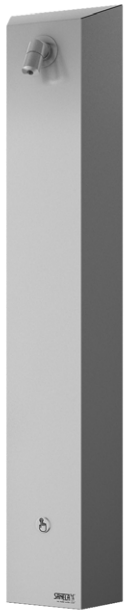
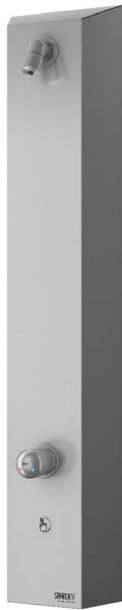


Piezo Stainless Steel Shower Panels

SLSN 01P, SLSN 02P, SLSN 02PT



SLSN 01P



SLSN 02P



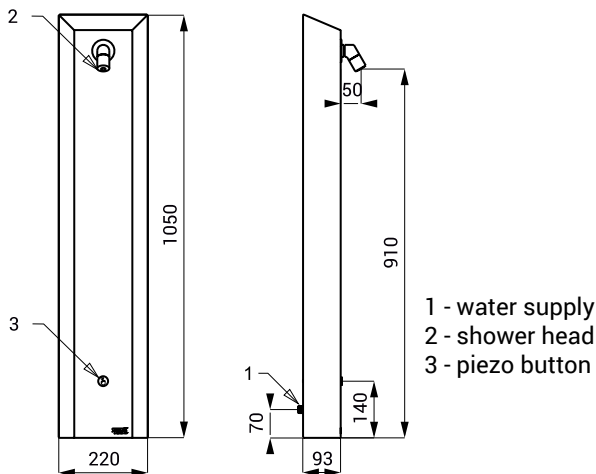
SLSN 02PT

Characteristics

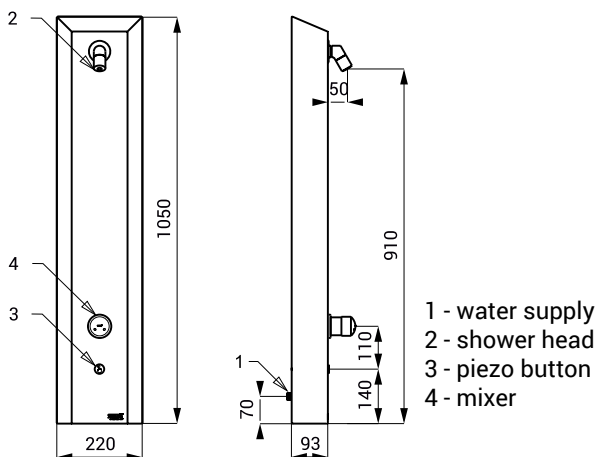


- hygienic flush
- vandal-proof
- suitable for prisons
- stainless steel wall hung shower panels with integrated piezo electronics
- with possibility to set an angle of water
- SLSN 01P is destined for cold or premixed water
- SLSN 02P is destined for cold and hot water, temperature is regulated by mixer
- SLSN 02PT is destined for cold and hot water, temperature is regulated by thermostatic mixer
- safety fuse against scalding (SLSN 02PT)
- water flows after soft push of the piezo button
- water stops flowing after adjustable flowing time (can be set in 10 s - 310 s), standard 120 s
- water could be stopped by follow-up soft push of piezo button
- monitoring of battery capacity (for models with index B)
- parameter adjustment using by the remote control SLD 04
- material AISI - 304
- brushed finish

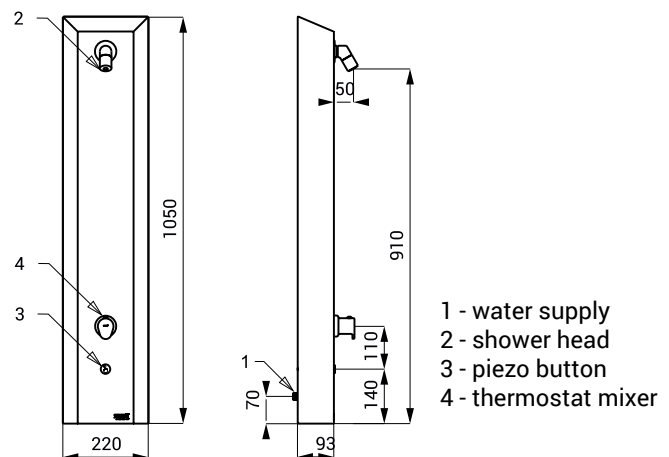
Dimensions



SLSN 01P



SLSN 02P



SLSN 02PT

Technical Specification

Operating voltage

- SLSN 01P, SLSN 02P, SLSN 02PT 24 V DC
- SLSN 01PB, SLSN 02PB, SLSN 02PTB 6 V

Power input

- operating by 24 V DC 7 W
- operating by 6 V 3 W

Battery life

- 4 pcs. AA alkaline batteries approx. 2 years (100 uses per day)
- AA, 1,5 V, 2700 mAh

Recommended flow pressure

0,1 - 0,6 MPa

Rate of flow

9 l/min. (inf. data)

Water inlet

male thread
G 1/2"

Supply Specification

- SLSN 01P - **Supply No. 92018** stainless steel shower panel with piezo electronics, electromagnetic valve (1 pc.),
- SLSN 01PB - **Supply No. 92019** connecting hoses, angle valve with filter (1 pc.), 4 pcs. AA alkaline batteries 1,5 V, 2700 mAh (SLSN 01PB)

- SLSN 02P - **Supply No. 92028** stainless steel shower panel with piezo electronics, electromagnetic valve (1 pc.), mixer,
- SLSN 02PB - **Supply No. 92029** connecting hoses, angle valve with filter and check valve (2 pcs.), 4 pcs. AA alkaline batteries 1,5 V, 2700 mAh (SLSN 02PB)

- SLSN 02PT - **Supply No. 82021** stainless steel shower panel with piezo electronics, electromagnetic valve (1 pc.),
- SLSN 02PTB - **Supply No. 82022** thermostatic mixer, connecting hoses, angle valve with filter and check valve (2 pcs.), 4 pcs. AA alkaline batteries 1,5 V, 2700 mAh (SLSN 02PTB)

Recommended Accessories

- SLZ 01Y - **Supply No. 05012** power supply 24 V DC for operating of max. 5 pcs. of showers
- SLZ 01Z - **Supply No. 05011** power supply 24 V DC for operating of max. 9 pcs. of showers
- SLZ 04Y - **Supply No. 05042** power supply 24 V DC for DIN rail, for operating of max. 5 pcs. of showers
- SLZ 04Z - **Supply No. 05041** power supply 24 V DC for DIN rail, for operating of max. 9 pcs. of showers
- SLZ 04X - **Supply No. 10049** power supply 24 V DC for DIN rail, for operating of max. 15 pcs. of showers
- SLZ 06 - **Supply No. 05060** power supply 24 V DC for operating of max. 1 pc. of shower
- SLD 04 - **Supply No. 07040** remote control for an adjustment of parameters
- SLT 04 - **Supply No. 09040** thermostatic valve 3/4", rate of flow 28 l/min by the pressure 0,1 MPa
- SLT 05 - **Supply No. 09050** thermostatic valve 1/2", rate of flow 42 l/min by the pressure 0,1 MPa
- SLA 36 - **Supply No. 06360** set of 4 pcs. alkaline batteries AA, 1,5 V, 2700 mAh (for models with index B)