

# Piezo Urinal Flushing Unit SLP 02PA

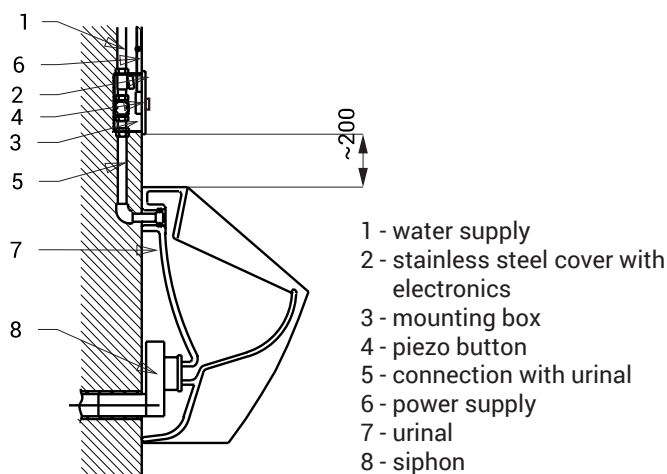


## Characteristics



- **vandal-proof**
- **suitable for a prison**
- special vandal-proof stainless steel cover, thickness 3 mm
- water flows after soft push of the piezo button
- adjustable flushing time 0,5 - 15,5 s, standard 4 s
- parameters adjustment by remote control SLD 04
- automatic hygiene flushing after 24 hours non-use
- possibility to regulate a water flow by the ball valve

## Installation Drawing



## Technical Specification

<b>Stainless steel cover dimension</b>	160 x 170 x 3 mm
<b>Mounting box dimension</b>	140 x 140 x 75 mm
<b>Operating voltage</b>	24 V DC
<b>Power input</b>	7 W
<b>Recommended flow pressure</b>	0,1 - 0,6 MPa
<b>Rate of flow</b>	18 l/min (inf. data)
<b>Water inlet</b>	male thread G 3/4"
<b>Water outlet</b>	male thread G 3/4"

## Supply Specification

**SLP 02PA - Supply No. 21022** stainless steel cover with piezo electronics, plastic mounting box with brass screw coupling, electromagnetic valve and ball valve, TORX screw (4 pcs.)

## Recommended Accessories

<b>SLZ 01Y - Supply No. 05012</b>	power supply 24 V DC for operating of max. 5 pcs. of flushing units
<b>SLZ 01Z - Supply No. 05011</b>	power supply 24 V DC for operating of max. 9 pcs. of flushing units
<b>SLZ 04Y - Supply No. 05042</b>	power supply 24 V DC on DIN rail, for operating of max. 5 pcs. of flushing units
<b>SLZ 04Z - Supply No. 05041</b>	power supply 24 V DC on DIN rail, for operating of max. 9 pcs. of flushing units
<b>SLZ 04X - Supply No. 10049</b>	power supply 24 V DC on DIN rail, for operating of max. 15 pcs. of flushing units
<b>SLZ 06 - Supply No. 05060</b>	power supply 24 V DC for operating of max. 1 pc. of flushing unit
<b>SLD 04 - Supply No. 07040</b>	remote control for an adjustment of parameters
<b>SLA 02 - Supply No. 06020</b>	inlet fitting with a rubber seal for the urinals with back water inlet
<b>SLR 02 - Supply No. 08020</b>	mounting frame to the plasterboard for urinal and flushing unit, which is placed above the urinal
<b>SLR 22 - Supply No. 08220</b>	mounting frame to the plasterboard constructions, for mounting to the floor and to the back wall, is destined for ceramic urinals and Sanela stainless steel urinals (SLPN 07, SLPN 09) and infra-red flushing unit, which is placed above the urinal (SLP 02, SLP 06)