

Piezo Shower Control SLZA 20P



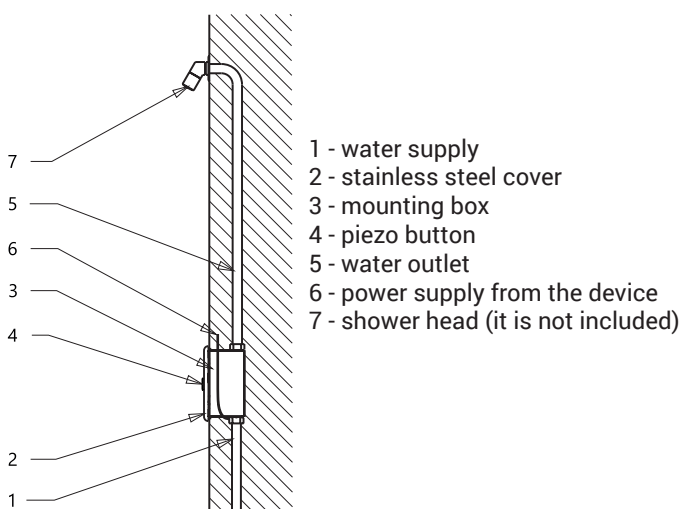
SLZA 20P

Characteristics



- hygienic flush
- vandal-proof
- shower control with piezo button for coin and token shower timers with index N
- is destined for cold or premixed water

Installation Drawing



Technical Specification

Stainless steel cover dimension	170 x 170 x 10 mm
Mounting box dimension	140 x 140 x 75 mm
Recommended flow pressure	0,1 - 0,6 MPa
Rate of flow	12 l/min. (inf. data)
Water inlet	male thread G 3/4"
Water outlet	male thread G 3/4"

Supply Specification

SLZA 20P - Supply No. 88207 stainless steel cover, plastic mounting box with brass screw coupling, electromagnetic valve and ball valve

Recommended Accessories

SLT 04	- Supply No. 09040	thermostatic valve 3/4", rate of flow 28 l/min by the pressure 0,1 MPa
SLT 05	- Supply No. 09050	thermostatic valve 1/2", rate of flow 42 l/min by the pressure 0,1 MPa
SLT 07	- Supply No. 09070	thermostatic valve 3/4", rate of flow 43 l/min by the pressure 0,1 MPa
SLT 08	- Supply No. 09080	thermostatic valve 1", rate of flow 53 l/min by the pressure 0,1 MPa
SLT 09	- Supply No. 09090	thermostatic valve 5/4", rate of flow 82 l/min by the pressure 0,1 MPa
SLT 10	- Supply No. 09100	thermostatic valve 6/4", rate of flow 155 l/min by the pressure 0,1 MPa
SLA 03	- Supply No. 06030	vandal-proof shower head with possibility to set an angle of water flow
SLA 13	- Supply No. 06130	vandal-proof shower head with possibility to set an angle of water flow
SLA 14	- Supply No. 06140	vandal-proof shower head
SLA 39	- Supply No. 06390	vandal-proof shower head
SLA 40	- Supply No. 06400	vandal-proof shower head with possibility to set an angle of water flow

Designed for Products

SLZA 01N	- Supply No. 88013	coin and token automatic device for one to three showers
SLZA 01NZ	- Supply No. 88014	coin and token automatic device for one to three showers
SLZA 01LN	- Supply No. 88017	coin and token automatic device for one to three showers
SLZA 01LNZ	- Supply No. 88018	coin and token automatic device for one to three showers
SLZA 02N	- Supply No. 88023	coin and token automatic device for four to twelve showers
SLZA 02NZ	- Supply No. 88024	coin and token automatic device for four to twelve showers
SLZA 02LN	- Supply No. 88029	coin and token automatic device for four to eight showers
SLZA 02LNZ	- Supply No. 88020	coin and token automatic device for four to eight showers
SLZA 03N	- Supply No. 88033	coin and token automatic device for one shower
SLZA 03NZ	- Supply No. 88034	coin and token automatic device for one shower