

Automatic Stainless Steel Shower Panel SLZA 21H



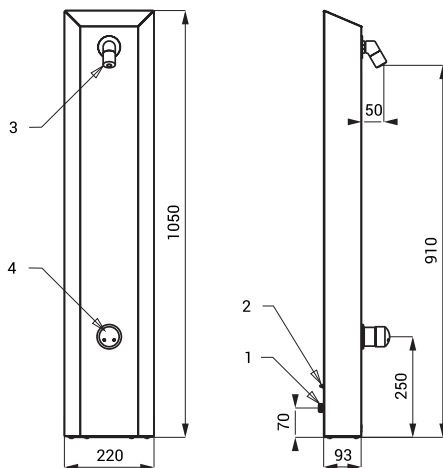
SLZA 21H

Characteristics



- hygienic flush
- vandalproof
- wall hung shower panel for automatic device with index M
- is designed for cold and hot water, temperature is regulated by mixer

Installation Drawing



- 1 - water supply
2 - power supply from the device
3 - shower head
4 - mixer

Technical Specification

Dimensions	1050 x 220 x 143 mm
Recommended flow pressure	0,1 - 0,6 MPa
Rate of flow	9 l/min. (inf. data)
Water inlet	male thread G 1/2"

Supply Specification

SLZA 21H - Supply No. 88215 stainless steel shower panel, electromagnetic valve (1 pc.), mixer, connecting hoses, angle valve with filter and check valve (2 pcs.)

Designed for Products

SLZA 01M	- Supply No. 88011	coin and token automatic device for one to three showers
SLZA 01MZ	- Supply No. 88012	coin and token automatic device for one to three showers
SLZA 01LM	- Supply No. 88015	coin and token automatic device for one to three showers
SLZA 01LMZ	- Supply No. 88016	coin and token automatic device for one to three showers
SLZA 02M	- Supply No. 88021	coin and token automatic device for four to twelve showers
SLZA 02MZ	- Supply No. 88022	coin and token automatic device for four to twelve showers
SLZA 02LM	- Supply No. 88027	coin and token automatic device for four to eight showers
SLZA 02LMZ	- Supply No. 88028	coin and token automatic device for four to eight showers
SLZA 03M	- Supply No. 88031	coin and token automatic device for one shower
SLZA 03MZ	- Supply No. 88032	coin and token automatic device for one shower
SLZA 43S	- Supply No. 88434	automatic device for shower, multiple payment methods