

Automatic Stainless Steel Washbasin Taps SLU 45, SLU 46

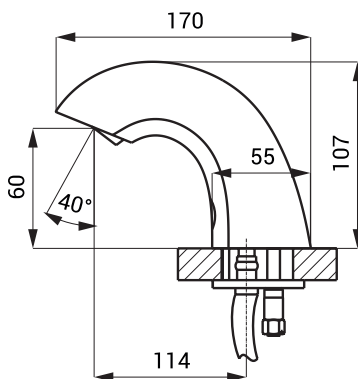


Characteristics



- economical aerator, rate of flow 6 l/min
- hygienic flush
- vandal-proof
- lead free
- SLU 45 is destined for cold or premixed water
- SLU 46 is destined for cold and hot water, temperature is regulated by angle valves
- water is flowing as long as hands are in the active range
- water stops flowing after removal of hands from the active range sensor after adjustable time delay (can be set in range 0,25 – 7,75 s)
- function of automatic water stop after 5 minutes of continuous flow
- monitoring of battery capacity (for models with index B)
- START/STOP program
- parameter adjustment using by the remote control SLD 03

Dimensions



Technical Specification

Operating voltage

- SLU 45, 46 24 V DC
- SLU 45B, 46B 6 V

Power input

- operating by 24 V DC 7 W
- operating by 6 V 3 W

Battery life

- 4 pcs. AA alkaline batteries approx. 2 years (100 uses per day)
- AA, 1,5 V, 2700 mAh

Active range

- standard 0,13 - 0,19 m
- START/STOP program 0,05 - 0,15 m

Recommended flow pressure

- 0,1 - 0,6 MPa

Rate of flow

- 6 l/min. (inf. data)

Water inlet

- male thread G 1/2"

Supply Specification

SLU 45	- Supply No. 03450	faucet with an electronics, electromagnetic valve (1 pcs.), connecting hoses,
SLU 45B	- Supply No. 03455	angle valve with filter (1 pcs.), 4 pcs. AA alkaline batteries 1,5 V, 2700 mAh with battery case (SLU 45B)
SLU 46	- Supply No. 03460	faucet with an electronics, electromagnetic valve (1 pc.), Y-piece, connecting hoses,
SLU 46B	- Supply No. 03465	angle valve with filter and check valve (2 pcs.), 4 pcs. AA alkaline batteries 1,5 V, 2700 mAh with battery case (SLU 46B)

Recommended Accessories

SLZ 01Y	- Supply No. 05012	power supply 24 V DC for operation of max. 5 pcs. of washbasin taps
SLZ 01Z	- Supply No. 05011	power supply 24 V DC for operation of max. 9 pcs. of washbasin taps
SLZ 04Y	- Supply No. 05042	power supply 24 V DC for DIN rail, for operation of max. 5 pcs. of washbasin taps
SLZ 04Z	- Supply No. 05041	power supply 24 V DC for DIN rail, for operation of max. 9 pcs. of washbasin taps
SLZ 04X	- Supply No. 10049	power supply 24 V DC for DIN rail, for operation of max. 15 pcs. of washbasin taps
SLZ 06	- Supply No. 05060	power supply 24 V DC for operation of max. 1 pc. washbasin tap
SLD 03	- Supply No. 07030	remote control for an adjustment of parameters
SLT 04	- Supply No. 09040	thermostatic valve 3/4", rate of flow 28 l/min by the pressure 0,1 MPa
SLT 05	- Supply No. 09050	thermostatic valve 1/2", rate of flow 42 l/min by the pressure 0,1 MPa
SLA 36	- Supply No. 06360	set of 4 pcs. alkaline batteries AA, 1,5 V, 2700 mAh (for models with index B)
SLA 56A	- Supply No. 06560	economical aerator 3,8 l/min
SLA 56B	- Supply No. 06561	economical aerator 1,9 l/min