

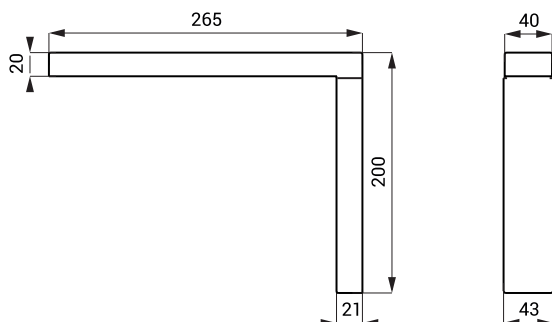
Supportive Stainless Steel Bracket for SLUN 10 SLZN 81



Characteristics

- supportive stainless steel brackets are designed only for longer or atypical troughs SLUN 10, SLUN 81, SLUN 82 and SLUN 83
- ensures the safety and strength of the trough
- material AISI - 304
- could be made to order from stainless steel AISI - 316L (for models with index L)
- brushed finish

Dimensions



Technical Specification

Dimensions	265 x 43 x 200 mm
Weight	0,57 kg
Thickness of material	1,5 mm
The maximum load of the bracket	40 kg (if mounted on solid brick wall)

Supply Specification

SLZN 81 - Supply No. 85810 supportive stainless steel bracket (1 pc.)
SLZN 81L - Supply No. 85811