

Automatic Stainless Steel Washbasin Taps with Soap Dispenser SLU 45MD, SLU 46MD

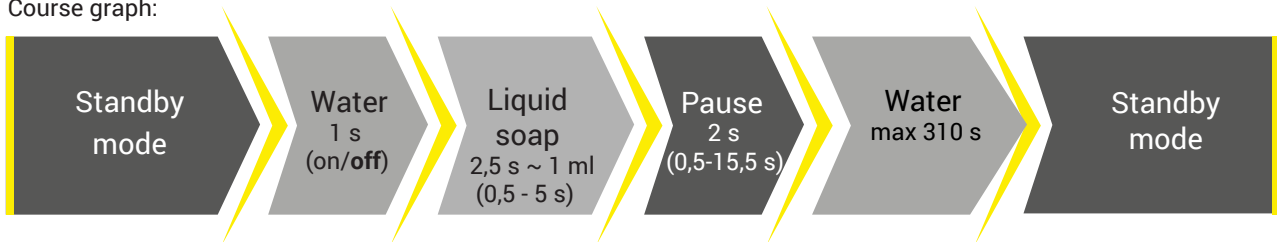


Characteristics

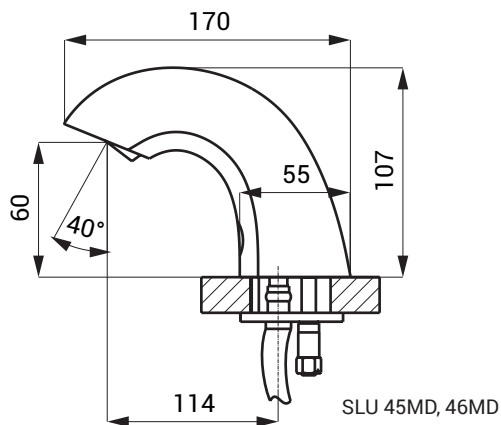


- economical aerator, rate of flow 6 l/min
- hygienic flush
- easy soap refilling
- soap economy
- SLU 45MD is destined for cold or premixed water
- SLU 46MD is destined for cold and hot water, temperature is regulated by angle valves
- suitable for private places; container for soap 1 l
- system reacts to the hands in front of the sensor
- parameter adjustment using by the remote control SLD 03

Course graph:

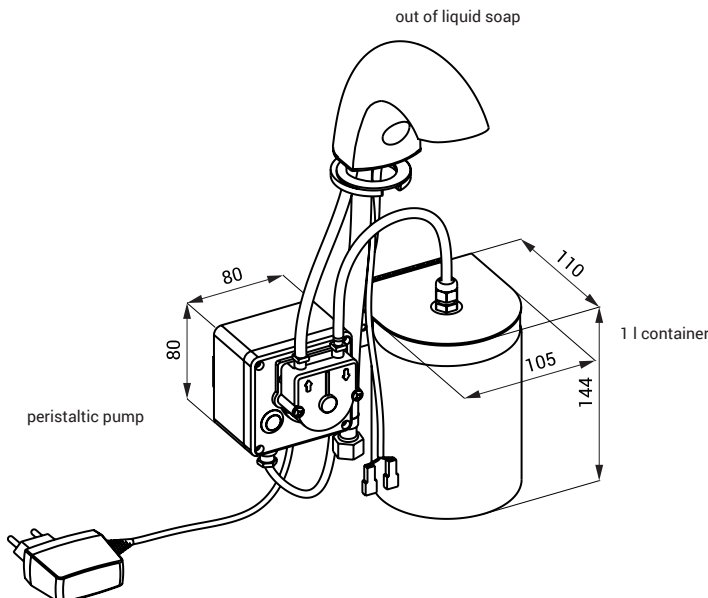


Dimensions



Technical Specification

Operating voltage	SLU 45MD, SLU 46MD	230 V AC
Power input		7 W
Active range		0,14 - 0,2 m
Recommended flow pressure		0,1 - 0,6 MPa
Rate of flow		6 l/min. (inf. Data)
Water inlet		male thread G 1/2"
Recommended soap viscosity		10 mPa*s - 5000 mPa*s
(don't use chemical solvents and disinfection)		



Supply Specification

- SLU 45MD – Supply No. 03466** faucet with an electronics, connecting hoses, angle valve with filter (1 pc.), electromagnetic valve (1 pc.), peristaltic pump for liquid soap and container for liquid soap 1 l, SLZ 07 - wall socket power supply 230 V AC/24 V DC
- SLU 46MD – Supply No. 03467** faucet with an electronics, Y-piece, connecting hoses, angle valve with filter and check valve (2 pcs.), electromagnetic valve (1 pc.), peristaltic pump for liquid soap and container for liquid soap 1 l, SLZ 07 - wall socket power supply 230 V AC/24 V DC

Recommended Accessories

- SLD 03 – Supply No. 07030** remote control for an adjustment of parametres
- SLT 04 – Supply No. 09040** thermostatic valve 3/4", rate of flow 28 l/min by the pressure 0,1 MPa
- SLT 05 – Supply No. 09050** thermostatic valve 1/2", rate of flow 42 l/min by the pressure 0,1 MPa
- SLA 56A – Supply No. 06560** economical aerator 3,8 l/min
- SLA 56B – Supply No. 06561** economical aerator 1,9 l/min