

Automatic Washbasin Taps SLU 56, SLU 57

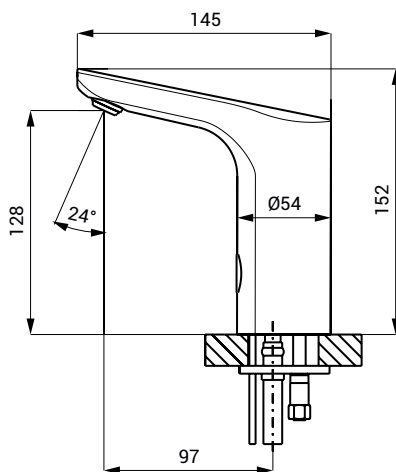


Characteristics



- economical aerator, rate of flow 6 l/min
- hygienic flush
- SLU 56 is destined for cold or premixed water
- SLU 57 is destined for cold and hot water, temperature is regulated by angle valves
- water is flowing as long as hands are in the active range
- water stops flowing after removal of hands from the active range of sensor after adjustable time delay (can be set in range 0,25 – 7,75 s)
- function of automatic water stop after 5 minut of continuous flow
- monitoring of battery capacity (for models with index B)
- START/STOP program
- parameter adjustment using by the remote control SLD 03

Dimensions



Technical Specification

Operating voltage

- SLU 56, SLU 57 24 V DC
- SLU 56B, SLU 57B 6 V

Power input

- operating by 24 V DC 7 W
- operating by 6 V 3 W

Battery life

- 4 pcs. AA alkaline batteries approx. 2 years (100 uses per day)
- AA, 1,5 V, 2700 mAh

Active range

- standard 0,13 - 0,19 m
- START/STOP program 0,05 - 0,15 m

Recommended flow pressure

- 0,1 - 0,6 MPa
- Rate of flow 6 l/min. (inf. data)
- Water inlet male thread G 1/2"

Supply Specification

- SLU 56 - Supply No. 03560 faucet with an electronics, electromagnetic valve (1 pc.), connecting hoses,
SLU 56B - Supply No. 03565 angle valve with filter (1 pc.), 4 pcs. AA alkaline batteries 1,5 V, 2700 mAh with battery case (SLU 56B)
- SLU 57 - Supply No. 03570 faucet with an electronics, electromagnetic valve (1 pc.), Y-piece, connecting hoses,
SLU 57B - Supply No. 03575 angle valve with filter and check valve (2 pcs.), 4 pcs. AA alkaline batteries 1,5 V, 2700 mAh with battery case (SLU 57B)

Recommended Accessories

- SLZ 01Y - Supply No. 05012 power supply 24 V DC for operating of max. 5 pcs. of washbasin taps
SLZ 01Z - Supply No. 05011 power supply 24 V DC for operating of max. 9 pcs. of washbasin taps
SLZ 04Y - Supply No. 05042 power supply 24 V DC for DIN rail, for operating of max. 5 pcs. of washbasin taps
SLZ 04Z - Supply No. 05041 power supply 24 V DC for DIN rail, for operating of max. 9 pcs. of washbasin taps
SLZ 04X - Supply No. 10049 power supply 24 V DC for DIN rail, for operating of max. 15 pcs. of washbasin taps
SLZ 06 - Supply No. 05060 power supply 24 V DC for operating of max. 1 pc. of washbasin tap
SLZ 06 - Supply No. 05060 power supply 24 V DC for operating of max. 1 pc. of washbasin tap
SLD 03 - Supply No. 07030 remote control for an adjustment of parameters
SLT 04 - Supply No. 09040 thermostatic valve 3/4", rate of flow 28 l/min by the pressure 0,1 MPa
SLT 05 - Supply No. 09050 thermostatic valve 1/2", rate of flow 42 l/min by the pressure 0,1 MPa
SLA 36 - Supply No. 06360 set of 4 pcs. alkaline batteries AA, 1,5 V, 2700 mAh (for models with index B)
SLA 55A - Supply No. 06550 economical aerator 3,8 l/min
SLA 55B - Supply No. 06551 economical aerator 1,9 l/min