

Automatic Washbasin Taps SLU 01N, SLU 02N, SLU 01M, SLU 02M, SLU 21, SLU 22



SLU 02N

SLU 02M

RETRO-BRONZ

SLU 22

Characteristics:

6 L

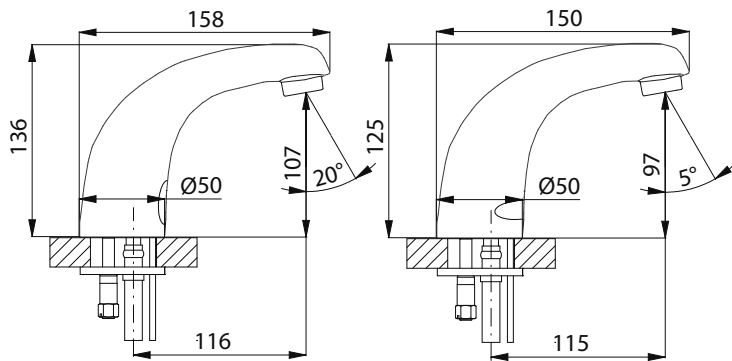
LEED

- economical aerator, rate of flow 6 l/min
- function of automatic water stop after 5 minut of continuous flow
- water is flowing as long as hands are in the active range (max. range to 0,3 m)
- water stops flowing after removal of hands from the active range of sensor after adjustable time delay
- adjustable time delay from 0,25 to 7,75 sec.
- possibility of changing of time delay, active range and switching off by SLD 03
- SLU 01N, SLU 01M and SLU 21 are destined for cold or premixed water
- SLU 02N, SLU 02M and SLU 22 are destined for cold and hot water, temperature is regulated by angle valves under the washbasin
- monitoring of battery capacity (only for models with „B“ index)
- START/STOP program

Dimensions:

SLU 01M, 01N, 02M, 02N

SLU 21, 22



Technical Specification:

Operating voltage

- SLU 01x, SLU 02x 24V DC external
- SLU 01xB, SLU 02xB battery 9V DC

Power input

- operating voltage by 24V DC 5 W
- operating voltage by 9V 1,2 W

Battery life

- lithium 9V, type U9VL approx. 2 years (100 uses per day)

Active range

- standard 0 - 0,3 m
- START/STOP program 0,05 - 0,1m

Recommended flow pressure

- 0,1 - 0,6 MPa

Rate of flow

- 6 l/min. (inf. data)

Water inlet

- male thread G 1/2"

Supply Specification:

- | | | |
|----------|--------------------|--|
| SLU 01N | - supply No. 23018 | chromium-plated faucet with an integrated electronics; battery holder (only for models with „B“ index); electromagnetic valve (1 pc.); connecting hoses; angle valve with a filter and non-return valve (1pc. or 2 pcs.); lithium battery SLA 09 (only for models with „B“ index); retro-bronz finished surface (only for models with „M“ index) |
| SLU 01NB | - supply No. 23019 | |
| SLU 01M | - supply No. 13019 | |
| SLU 01MB | - supply No. 23011 | |
| SLU 02N | - supply No. 23028 | |
| SLU 02NB | - supply No. 23029 | |
| SLU 02M | - supply No. 13029 | SLU 21B - supply No. 03215 |
| SLU 02MB | - supply No. 23021 | SLU 22 - supply No. 03220 |
| SLU 21 | - supply No. 03210 | SLU 22B - supply No. 03225 |

Recommended Accessories:

- | | | |
|---------|--------------------|--|
| SLZ 01Y | - supply No. 05012 | external power supply 230/24V DC for operating of max. 2 pcs. of washbasin taps (see page 118) |
| SLZ 01Z | - supply No. 05011 | external power supply 230/24V DC for operating of max. 4 pcs. of washbasin taps (see page 118) |
| SLZ 03 | - supply No. 05030 | switched power supply 230/24V DC for operating of max. 9 pcs. of washbasin taps (see page 118) |
| SLZ 06 | - supply No. 05060 | external power supply 230/24V DC for operating of max. 1 pc. of washbasin tap |
| SLD 03 | - supply No. 07030 | universal remote control for an adjustment of parameters of all products with infra-red electronics (see page 115) |
| SLT 04 | - supply No. 09040 | thermostatic valve 3/4", rate of flow 28 l/min by the pressure 0,1 MPa (see page 115) |
| SLT 05 | - supply No. 09050 | thermostatic valve 1/2", rate of flow 42 l/min by the pressure 0,1 MPa (see page 115) |
| SLT 07 | - supply No. 09070 | thermostatic valve 3/4", rate of flow 43 l/min by the pressure 0,1 MPa (see page 115) |
| SLT 08 | - supply No. 09080 | thermostatic valve 1", rate of flow 53 l/min by the pressure 0,1 MPa (see page 115) |
| SLT 09 | - supply No. 09090 | thermostatic valve 5/4", rate of flow 82 l/min by the pressure 0,1 MPa (see page 115) |
| SLT 10 | - supply No. 09100 | thermostatic valve 6/4", rate of flow 155 l/min by the pressure 0,1 MPa (see page 115) |
| SLA 09 | - supply No. 06090 | lithium battery 9V/1200 mAh, type U9VL, battery life approx. 2 years at 100 uses per day (only for models with "B" index) (see page 115) |