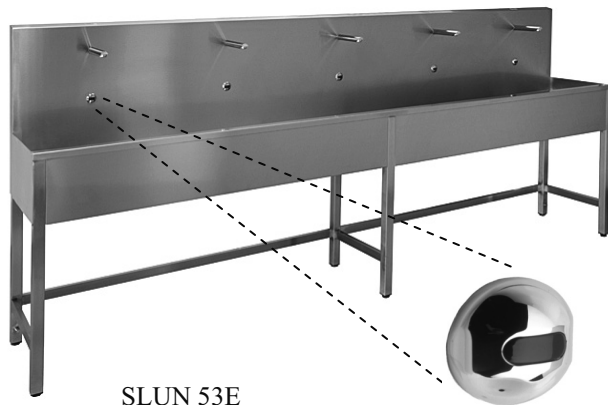
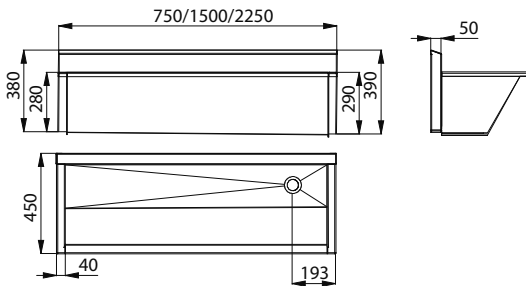


Stainless Steel Medical Mangers SLUN 54 - 56, Washing Mangers SLUN 50E(T) - 53E(T)



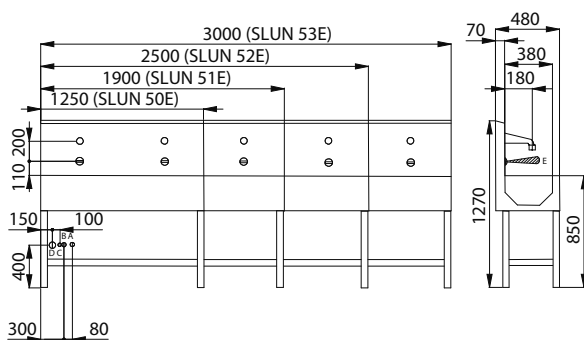
SLUN 54

Dimensions:



SLUN 53E

Dimensions:



- A - cold water inlet (female thread G 1/2")
- B - hot water inlet (female thread G 1/2")
- C - feed cable from the power supply 24V DC
- D - waste outlet
- E - active range

Recommended Accessories for SLUN 50E(T) - 53E(T):

- SLZ 01Y – supply No. 05012 external power supply 230/24V DC for operating of max. 1 pc. of SLUN 50E(T) (see page 118)
- SLZ 01Z – supply No. 05011 external power supply 230/24V DC for operating of max. 1 pc. of SLUN 51E(T) or SLUN 52E(T) (see page 118)
- SLZ 03 – supply No. 05030 switched power supply 230/24V DC for operating of max. 1 pc. of SLUN 53E(T) (see page 118)
- SLD 03 – supply No. 07030 universal remote control for an adjustment of parameters of all products with infra-red electronics (see pag 115)

Characteristics:

- suitable for medical facilities
- stainless steel wall hung medical mangers
- SLUN 54 - 750 mm, SLUN 55 - 1500 mm, SLUN 56 - 2250 mm
- different lengths could be made to order
- siphon hole is standardly on the right side (could be changed to order)
- material CrNi (AISI-304)
- brushed finish

Supply Specification:

- SLUN 54 – supply No. 93540 stainless steel medical manger;
- SLUN 55 – supply No. 93550 siphon; mounting set
- SLUN 56 – supply No. 93560

Characteristics:

- stainless steel floor standing mangers with integrated electronics
- SLUN 50E, ET - length 1250 mm (2 pcs. of electronics)
- SLUN 51E, ET - length 1900 mm (3 pcs. of electronics)
- SLUN 52E, ET - length 2500 mm (4 pcs. of electronics)
- SLUN 53E, ET - length 3000 mm (5 pcs. of electronics)
- different lengths could be made to order
- material CrNi (AISI-304)
- water temperature regulated by angle valves (models with E index) or by thermostatic valve (models with ET index)
- brushed finish

Technical Specification: see SLUN 04E, SLUN 07E

Supply Specification:

- SLUN 50E – supply No. 93501 stainless steel automatic
- SLUN 51E – supply No. 93511 washing manger;
- SLUN 52E – supply No. 93521 electronics; spouts;
- SLUN 53E – supply No. 93531 electromagnetic valves
- SLUN 50ET – supply No. 93503 (depends on number of
- SLUN 51ET – supply No. 93513 electronics); connecting
- SLUN 52ET – supply No. 93523 hoses; angle valve with
- SLUN 53ET – supply No. 93533 a filter and non-return valve (2 pcs.); siphon, thermostatic valve (only for models with „ET“ index)